



Cerberus® AlgoRex

Bases

for DS11 fire detectors

DB1101A
DB1131A
DB1151A

- **Base made of impact and scratch-proof plastic**
- **With screwless terminals**
- **Completely covered by detector**
- **Integral rubber gasket to protect against draught, dirt and water from above**
- **Detector protected against vibration**
- **Models for:**
 - interactive fire detectors, series DS1150
 - individually addressable fire detectors AnalogPLUS, series DS1130
 - fire detectors with collective evaluation, series DS1100
- **For mounting on recess box direct**
- **Range of accessories for surface wiring, installation in damp environment, protection against theft, inscription, etc.**
- **Environmentally safe materials**
 - halogen-free plastic material identifiable through embossed code
 - easy to uninstall and disassemble



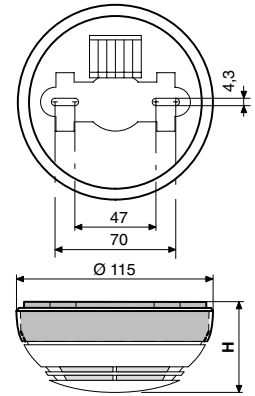
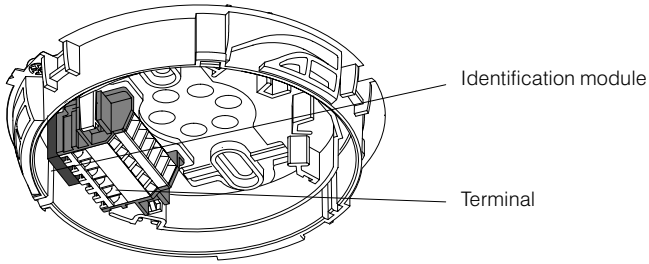
Cerberus
Security
for People
and Assets

Siemens Building Technologies
Cerberus Division

Basic models

DB11..A

Base

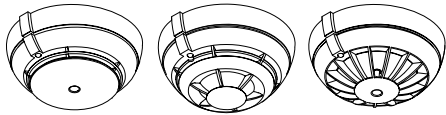


DO11..A

DOT11..A

DT11..A

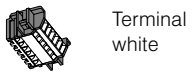
Detectors



H: DO11..A = 51mm
 DOT11..A = 63mm
 DT11..A = 54.5mm

DB1101A

Base



for fire detectors with collective address, series DS1100.

DB1131A

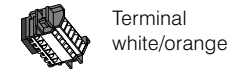
Base



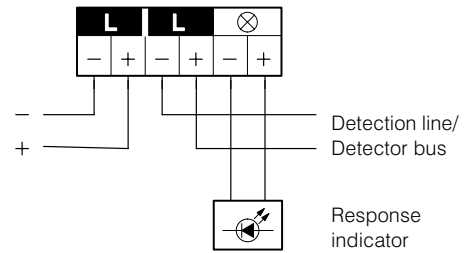
for fire detectors of the detection system AnalogPLUS, series DS1130.

DB1151A

Base



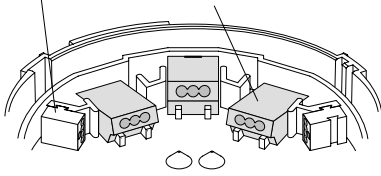
for interactive fire detectors, series DS1150.
 This base contains an identification module with factory-programmed number to store the location. When exchanging the detector, thanks to this module, the new detector is automatically correctly programmed.



Accessories

DBZ1190-AA

DBZ1190-AB



Microterminal

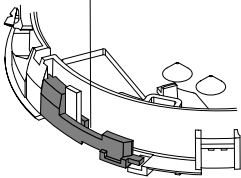
(max. 0.5mm²)

Connection terminal

(max. 2.5mm²)

for connection of 2 external response indicators or cable shielding.

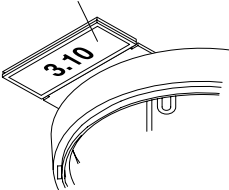
DBZ1190



Detector locking device

To protect the detector from theft.

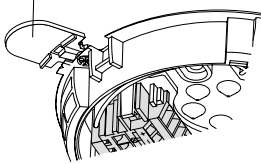
DBZ1193A



Detector designation plate

To indicate location address.

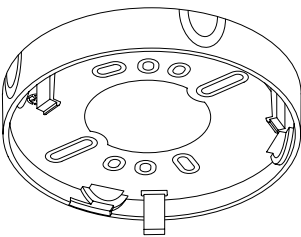
DBZ1193A-AA



Detector marking

To indicate location of detector with separator.

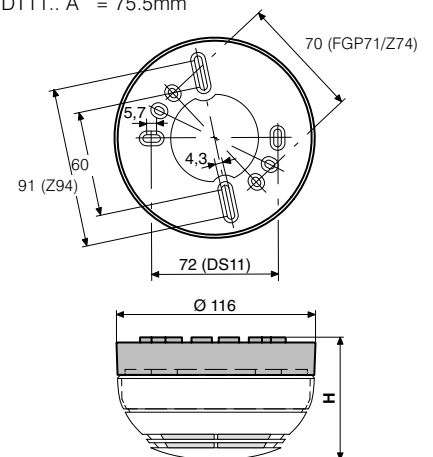
DBZ1191



Base attachment

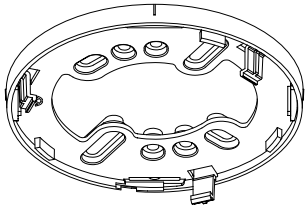
For feeding in surface wiring and to provide more wire loop space. Base DB11..A is mounted using a spring-loaded catch.

H: DO11..A = 72mm
 DOT11..A = 84mm
 DT11..A = 75.5mm



Accessories

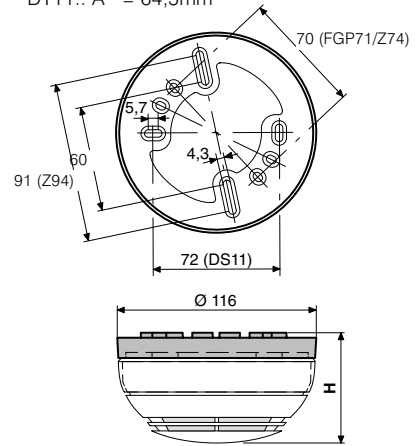
DBZ1191A-AA



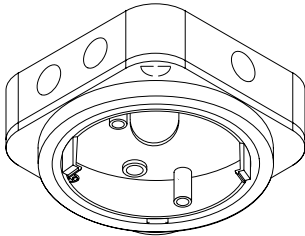
Base attachment, flat

For surface-mounted applications with cables up to Ø6mm and to use existing mounting holes of MS7/MS9 bases. Base DB11..A is mounted using a spring-loaded catch.

H: DO11..A = 61mm
 DOT11..A = 73mm
 DT11..A = 64,5mm



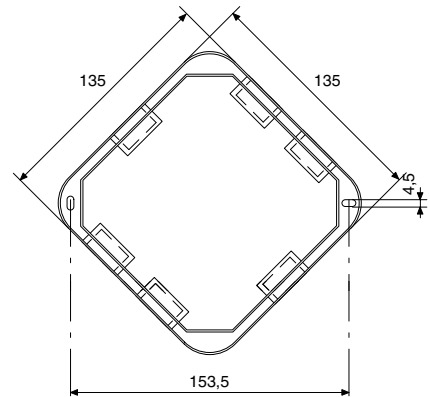
DBZ1192



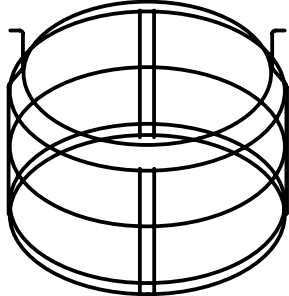
Base attachment

For installation in damp environments. Base DB11..A is mounted using a spring-loaded catch.

H: DO11..A = 107,5mm
 DOT11..A = 119,5mm
 DT11..A = 111mm

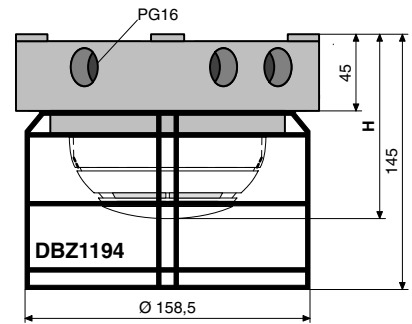


DBZ1194

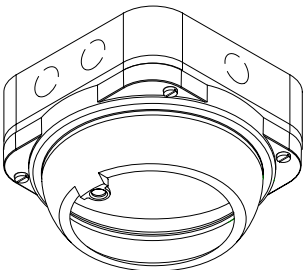


Protective cage

To protect the detector from damage. It is screwed to the DBZ1192.



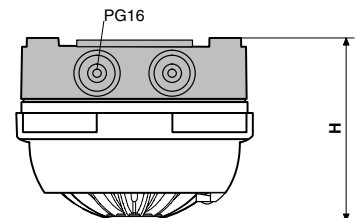
DBZ1192-AA



Base attachment

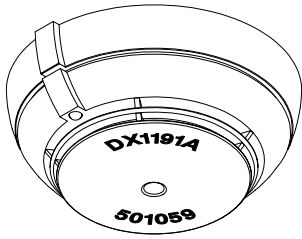
With cover for installation in wet environments. Base DB11..A is mounted using a spring-loaded catch.
 For DT11..A heat detectors only.

H: DT11..A = 111mm



Accessories

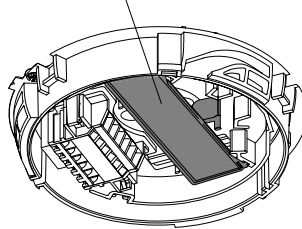
DX1191A



Dummy detector

To cover bases without detectors over a long period.

DBZ1190A-AC

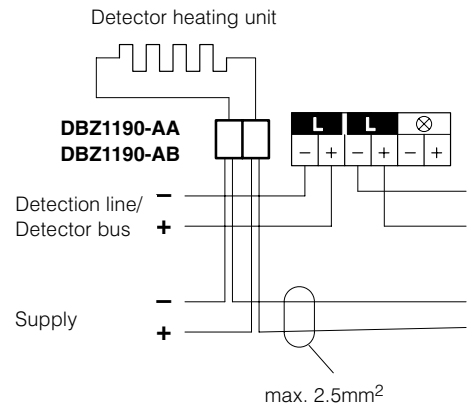


Detector heating unit

Enables DS11 smoke detectors to operate in critical environmental conditions, for example where there is a danger of icing or moisture condensation, in refrigeration plants, cold storage rooms, attics, cheese warehouses, loading ramps etc.

Not permissible for explosion hazard application!

Installation of the DB11..A base with DBZ1191 or DBZ1192 base attachment.



If ambient temperatures of >40°C can arise, provide an automatic switch-off.

Technical data

DB11..A Base	Wire cross-sectional area	
	- Terminals in the base	0.2...2.5mm ² (AWG24...14)
	- Microterminal	0.25...0.5mm ² (AWG23...20)
	- Connection terminal	1.0...2.5mm ² (AWG18...14)
	Operating temperature / Humidity	In accordance with detector data
DBZ1190A-AC Detector heating unit	EN60529 / IEC529 protection category	
	- with detector	IP44
	- with auxiliary base DBZ1192-AA and heat detector	IP55
Colour	white, ≈RAL9010	
DBZ1190A-AC Detector heating unit	Operating voltage (normal operating)	20 ... 30Vdc
	Operating current	35 ... 55mA
	Operating temperature	-30°C...+40°C
	Humidity (DIN40040 category)	F (<95% rel.)

Details for ordering

	Type	Part no	Designation	Weight
Bases	DB1101A	486365	Base, collective	0.055kg
	DB1131A	478975	Base, AnalogPLUS	0.060kg
	DB1151A	486378	Base, interactive	0.055kg
Accessories	DBZ1190	458526	Detector locking device	0.001kg
	DBZ1193A	486433	Detector designation plate (10 pieces)	0.085kg
	DBZ1193A-AA	500982	Detector marking (10 pieces)	0.015kg
	DBZ1191	454083	Base attachment, surface	0.050kg
	DBZ1191A-AA	501127	Base attachment, surface, flat	0.025kg
	DBZ1192	458814	Base attachment, surface, damp	0.265kg
	DBZ1192-AA	535559	Base attachment, surface, wet	-
	DBZ1194	467711	Protective cage	0.135kg
	DBZ1190A-AC	516785	Detector heating unit incl. DBZ1190-AA micro-terminal 0.28 ... 0.5mm ²	0,015kg
	DBZ1190-AA	467708	Microterminal, max. 0.5mm ²	0.001kg
DBZ1190-AB	494234	Connection terminal, max. 2.5mm ²	0.001kg	
	DX1191A	501059	Dummy detector	0.085kg
Spare parts			Terminal	
	-	493808	for DB1101A	0.015kg
	-	493824	for DB1131A	0.015kg
	-	493811	for DB1151A (incl. identification module)	0.015kg

