



FMC-210-SM Single Action Call Points

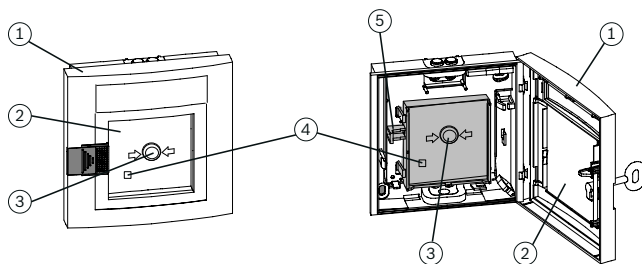


- ▶ Alarm triggering by breaking of the glass pane
- ▶ Automatic or manual detector addressing via rotary switch possible
- ▶ Indicator LED for alarm or for inspection evaluation
- ▶ Call point query routines with evaluation and multiple transmission
- ▶ Individual call point identification
- ▶ Maintains LSN loop functions in the event of wire interruption or short-circuit thanks to two integrated isolators

The FMC-210-SM Single Action Call Points are used for manual triggering, and can be used in the Local SecurityNetwork LSN and LSN improved. The FMC-210-SM Single Action Call Points are designed for indoor deployment.

Individual call point identification with display of the call point address on the fire panel ensures the quick location of the triggered call point.

Functions



With single action call points, the alarm is triggered when the glass plate (2) is broken and the button (3) springs up.

This activates the microswitch for alarm triggering and the indicator LED (4) blinks.

The call point (3) can be reset after inserting a new glass pane (2) and closing the door of the single action call point (1). The indicator LED (4) goes out.

This does not reset the alarm on the fire panel.

Certifications and Approvals

FMC-210-SM-G-R applies to

- EN 54-11:2001/A1:2005
- EN 54-17:2005

Region	Certification	
Germany	VdS	G 207008 FMC-210-SM-G-R
Europe	CPD	0786-CPD-20316 FMC-210-SM-G-R

Installation/Configuration Notes

- Manual call points must be mounted visibly along escape and rescue routes (e. g. exits, passageways, stairwells) and be easily accessible.
- An installation height of 1400 mm \pm 200 mm, measured from the middle of the manual call point to the floor, must be maintained.
- Manual call points must be adequately illuminated by sunlight or another light source (including emergency lighting if present).

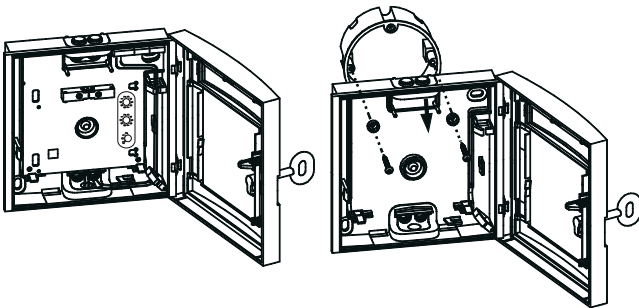
- The maximum number of LSN elements that may be connected depends on their current consumption from the LSN data line. The limit values should be taken from the product information supplied with the fire panel used.
- Further standards, guidelines and planning recommendations regarding the installation location etc., should also be taken into consideration (see Fire Detection manual).
- The regulations of the local fire services must be observed.

Installation notes in accordance with VdS/VDE

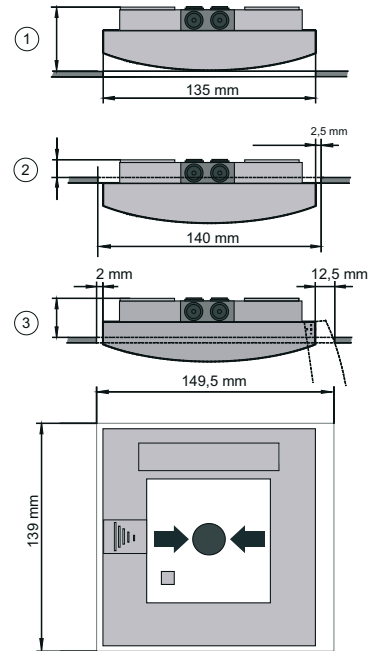
- The distance between manual call points should not be more than 100 m according to DIN 14675 or 80 m according to VdS.
- In high risk areas, manual call points should be installed at a distance of max. 40 m (VDE 0833 Part 2, Point 7.2.6).

Installation

- The cable duct can be surface-mounted or flush-mounted.



- Installation in fire hose cabinets is possible in three ways:



Pos.	Description
1	Installation depth version 1: ca. 40 mm
2	Installation depth version 2: 14 mm
3	Installation depth version 3: min. 30 mm

Parts Included

TypeNumber.	Component
FMC-210-SM-G-B Form G, Blue	Single Action Call Point for indoor use, direct triggering (type A)
FMC-210-SM-G-R Form G, Red	Single Action Call Point for indoor use, direct triggering (type A)

Note The key must be ordered separately.

Technical Specifications

Electrical

Operating voltage	15 V DC ... 33 V DC
Current consumption	0.4 mA

Mechanics

Dimensions (H x W x D)	135 x 135 x 40 mm
Housing material	Plastic, ASA
Colors	
• FMC-210-SM-G-R	Red, RAL 3001
• FMC-210-SM-G-B	Blue, RAL 5005
Weight	Approx. 235 g

Environmental Considerations

Protection class as per EN 60529 IP 52

Permissible operating temperature -10 °C. . . +55 °

Ordering Information

FMC-210-SM-G-B Form G, Blue Single Action Call Point for indoor use, direct triggering (type A), for LSN improved	FMC-210-SM-G-B
FMC-210-SM-G-R Form G, Red Single Action Call Point for indoor use, direct alarm triggering (type A), for LSN improved	FMC-210-SM-G-R
Accessories	
FMX-FSO-LSN Punched, Self-adhesive Foil Sets (Blank) For the labeling field of manual call points of the Series FMC-210. 1 unit = 10 sheets	FMX-FSO-LSN
FMC-FST-DE Printed Labeling Foils for the Upper Label Field For yellow and blue manual call points of Series FMC-120 and FMC-210, 1 unit = 5 sheets	FMC-FST-DE
FMC-SPGL-DEIL Spare Glasses For manual call points of Series DM, DKM, SKM, FMC-120 and FMC-210. 1 unit = 5 spare glasses	FMC-SPGL-DEIL
Key for Fire Detectors Types G and H made of red plastic (ASA)	FMM-KEY-Form G/H

Americas:
Bosch Security Systems, Inc.
130 Perinton Parkway
Fairport, New York, 14450, USA
Phone: +1 800 289 0096
Fax: +1 585 223 9180
security.sales@us.bosch.com
www.boschsecurity.us

Europe, Middle East, Africa:
Bosch Security Systems B.V.
P.O. Box 80002
5600 JB Eindhoven, The Netherlands
Phone: + 31 40 2577 284
Fax: +31 40 2577 330
emea.securitysystems@bosch.com
www.boschsecurity.com

Asia-Pacific:
Robert Bosch (SEA) Pte Ltd, Security Systems
11 Bishan Street 21
Singapore 573943
Phone: +65 6258 5511
Fax: +65 6571 2698
apr.securitysystems@bosch.com
www.boschsecurity.asia

Represented by